



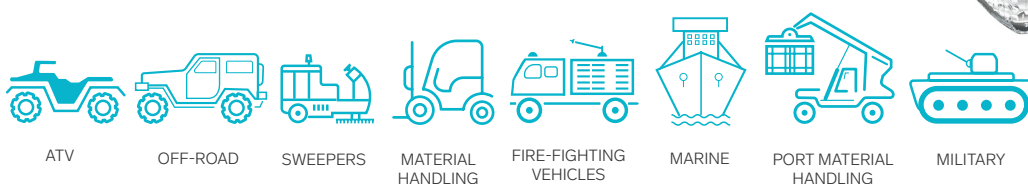
# VL4

The VL4 with its stylish streamline design and small dimensions is used on Forklift trucks, floor scrubbers, ambulances, ATV's, UTV and also as entrance light on construction machines. Available with thru bolt or bracket mount. The 825 effective lumen model is specially designed to be isolated, meaning the input wires do not have any electrical connection to the housing of the light, ideal for forklift use.



## SUGGESTED APPLICATIONS

The VL4 is highly adaptable and can be used across numerous applications worldwide, including:



## TECHNICAL DATA

- Housing Material:** Cast Aluminium
- Mounting Options:** Thru Bolt, Bracket, Pedestal, Easy Mount
- Lens Material:** Polycarbonate
- Connector:** Deutsch (DT04-2P) built in
- Weight:** Thru Bolt 336 g / 0.74 lb, Bracket 358 g / 0.79 lb
- Light Patterns:** Symmetric, Asymmetric, Narrow Symmetric

- Overheating Protection
- Over-voltage Protection
- Polarity Protection

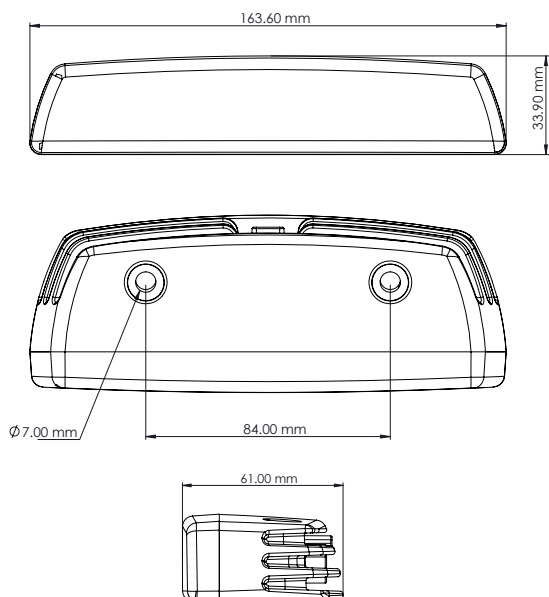
## TEST STANDARDS

- Salt Spray ASTM B117 500 h
- Vibration 5-2000 Hz 3 Axis, 10 Grms
- Shock Tested 50 G 11 ms
- IP69K
- EN55025 / CISPR 25, ISO 11452-2 / ISO 11452-4, ISO 16750-2 / ISO 10605 / ISO 7637-2
- UL Rated Optional

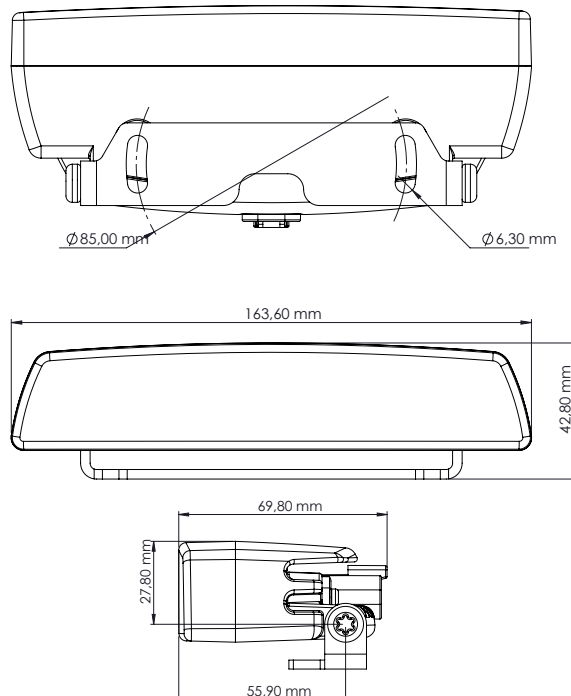
Consult website for additional lens & mounting options

TYRI's testing standards can be found at: [www.tyrilights.com](http://www.tyrilights.com)

VL4 Thru Bolt



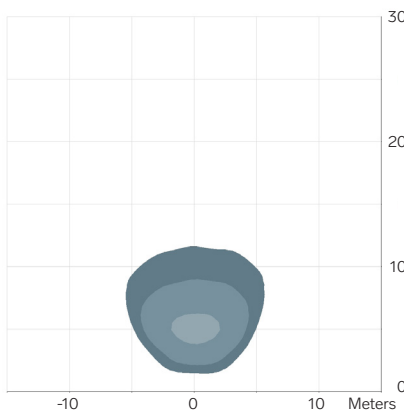
VL4 Bracket



| LIGHT OUTPUT    | OPERATING TEMPERATURE | VOLTAGE |                 | AMP DRAW |       | POWER | COLOUR TEMPERATURE                    | EMC               | ECE            |
|-----------------|-----------------------|---------|-----------------|----------|-------|-------|---------------------------------------|-------------------|----------------|
|                 |                       | Machine | Operating Range | 12 V     | 24 V  |       |                                       |                   |                |
| Effective Lumen | °C                    |         |                 |          |       |       |                                       | EN55025 / CISPR25 | ECE Rating R10 |
| 600 lm          | -40 to +75 °C         | 12-48 V | 9-60 V          | 1.2 A    | 0.6 A | 15 W  | 5700                                  | 3                 |                |
| 825 lm          | -40 to +75 °C         | 12-48 V | 9-60 V          | 1.2 A    | 0.6 A | 15 W  | 5700                                  | 3                 |                |
| RED             | -40 to +75 °C         | 12-48 V | 9-60 V          | 1.2 A    | 0.6 A | 15 W  | Dominant Wavelength<br>Typical 630 nm | 4                 |                |
| GREEN           | -40 to +75 °C         | 12-48 V | 9-60 V          | 1.2 A    | 0.6 A | 15 W  | Dominant Wavelength<br>Typical 530 nm | 4                 |                |

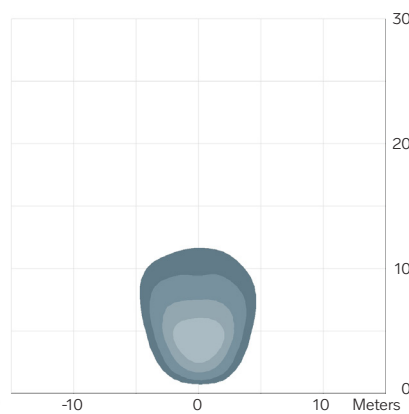
### TYPICAL LIGHT PATTERNS

Example for VL4 / 600 effective lumen | For further light patterns visit [www.tyrilights.com](http://www.tyrilights.com)



#### VL4 / 600 lm

Wide 45°+  
3.0 m / -15°  
Symmetric



#### VL4 / 600 lm

Wide 45°+  
3.0 m / -15°  
Asymmetric

